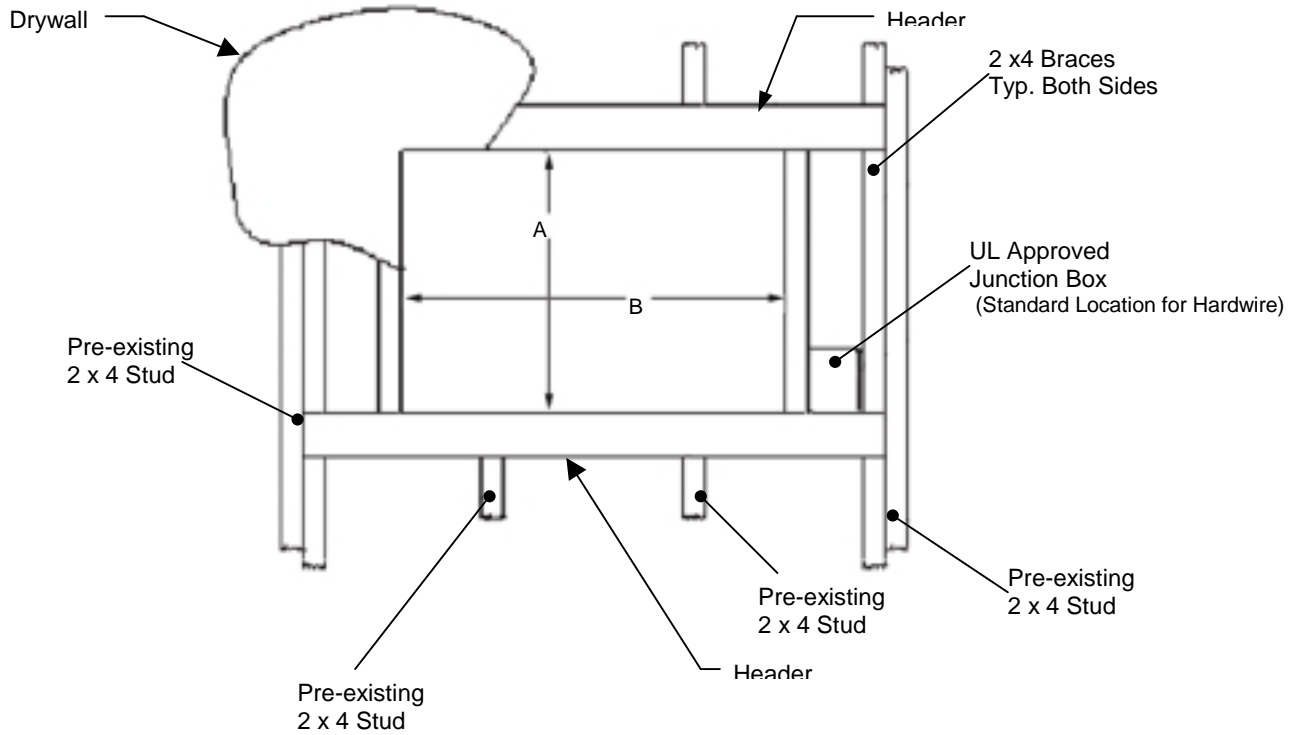


Rough Opening for Recess Units



SPECIFICATION CHART- Rough Opening Dimensions		
	Dim A	Dim B
14 x 36	39 7/8	16 5/8
1 Bank	21	16 5/8
2 Bank	21	30 5/8
3 Bank	21	44 11/16
4 Bank	21	58 3/4
5 Bank	21	72 3/4
6 Bank	21	86 3/4
1 Over 1	41 1/4	16 5/8
2 Over 2	41 1/4	30 5/8
3 Over 3	41 1/4	44 11/16
4 Over 4	41 1/4	58 3/4
5 Over 5	41 1/4	72 3/4
6 Over 6	41 1/4	86 3/4