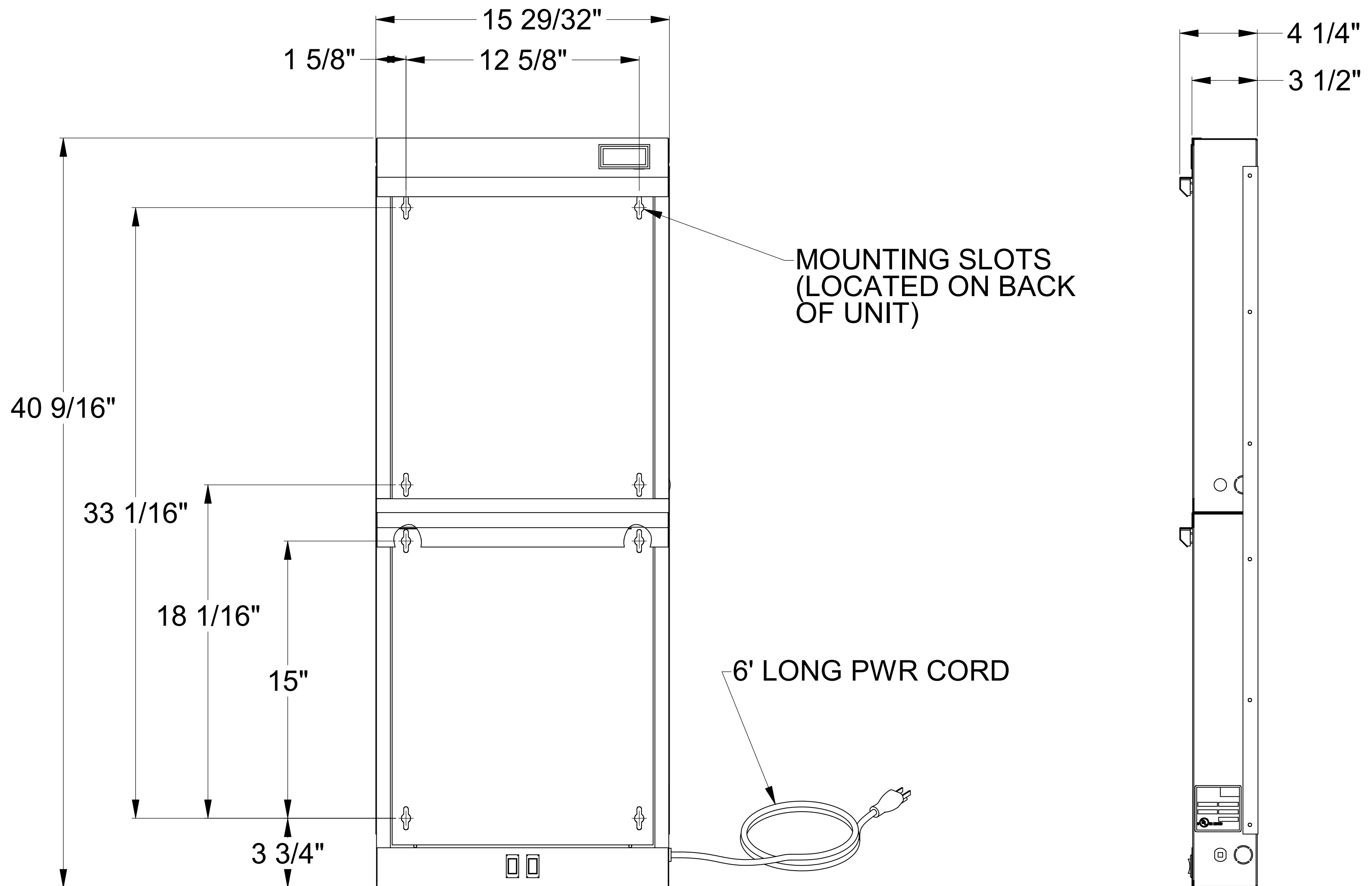



2 Tier, 1 Bank Wall Mount Units (2011 thru 4011 Series)



Electrical Requirements: 120VAC, 60 Hertz, Single Phase
Power Rating: 2.4A

c  us UL/CUL Approved
LISTED