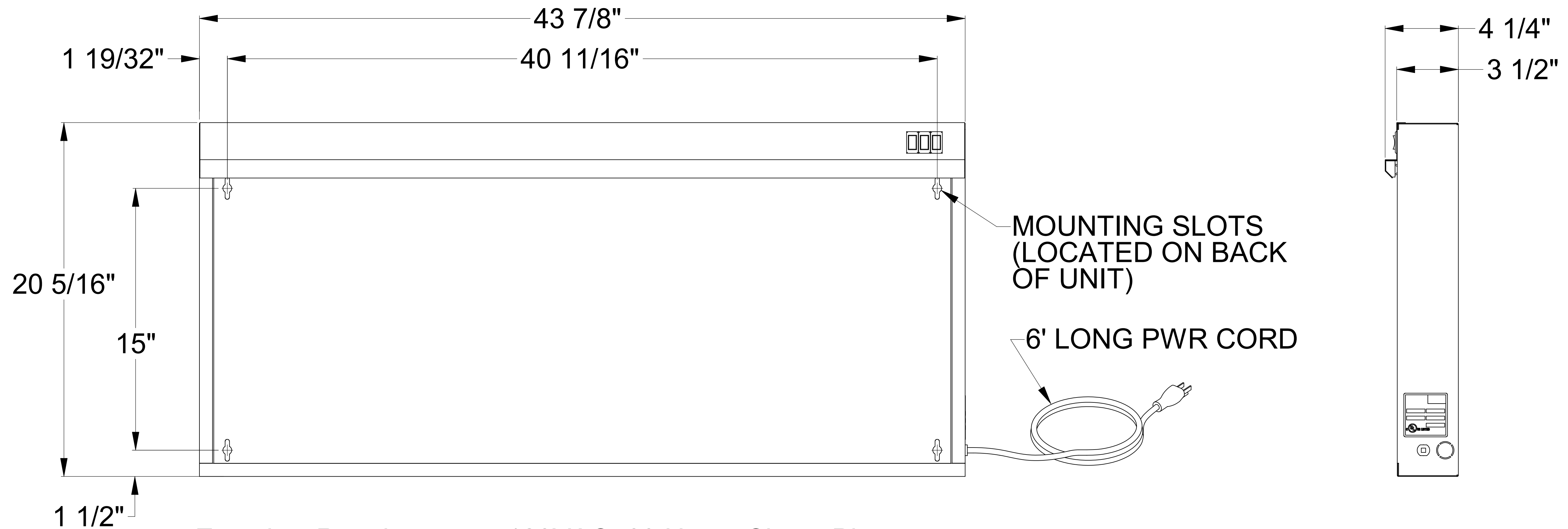



1 Tier, 3 Bank Wall Mount Units (2003 thru 4003 Series)



Electrical Requirements: 120VAC, 60 Hertz, Single Phase
Power Rating: 3.6A

 **us** UL/CUL Approved
LISTED