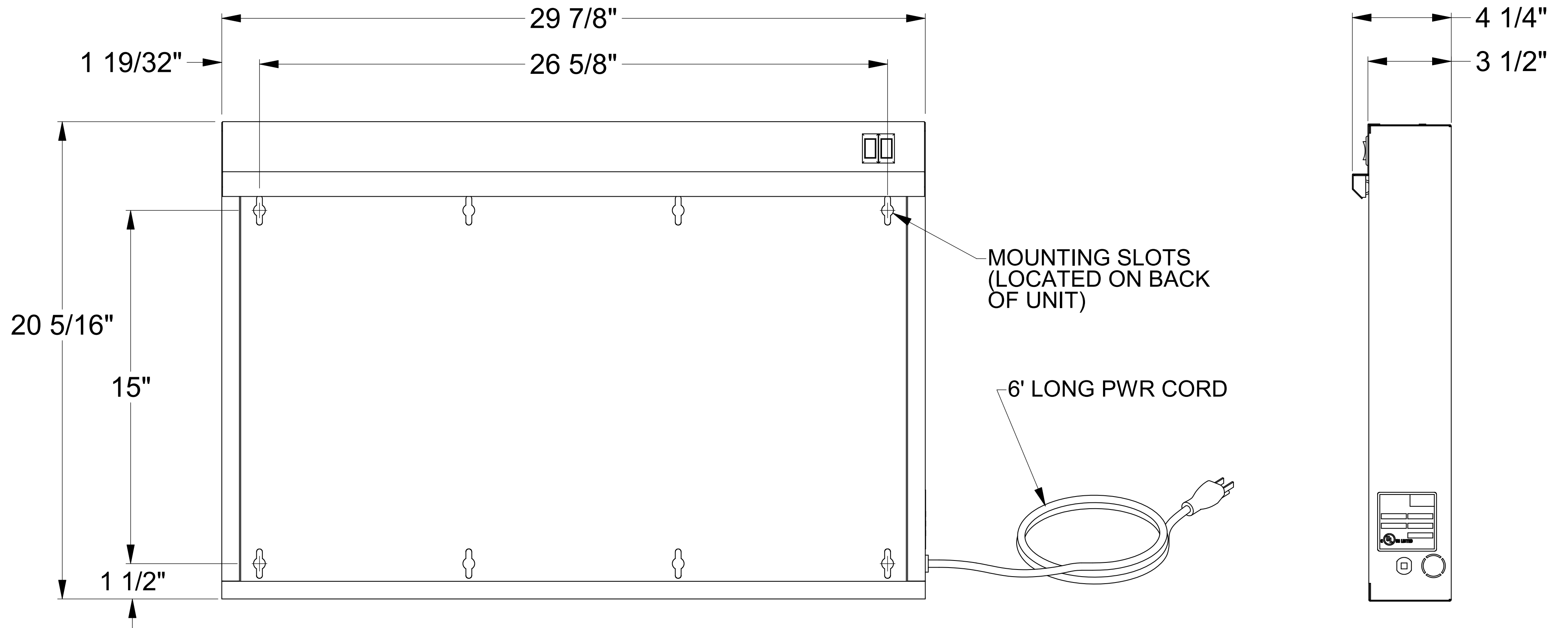



1 Tier, 2 Bank Wall Mount Units (2002 thru 4002 Series)



Electrical Requirements:
120VAC, 60 Hertz, Single Phase
Power Rating: 2.4A

 **UL** us LISTED UL/CUL Approved