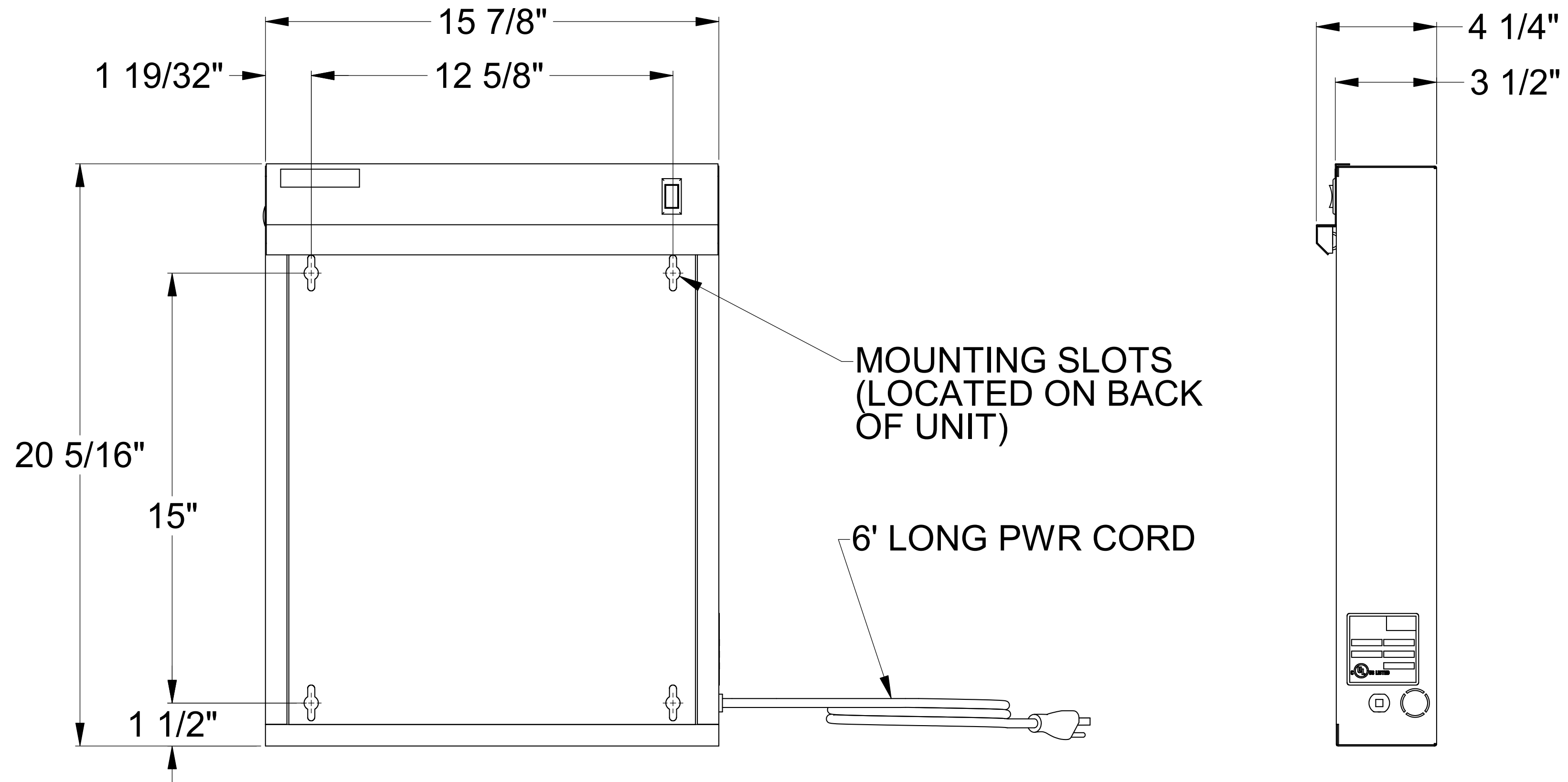


1 Tier, 1 Bank Wall Mount Units (2001 thru 4001 Series)



Electrical Requirements: 120VAC, 60 Hertz, Single Phase
Power Rating: 1.2A

